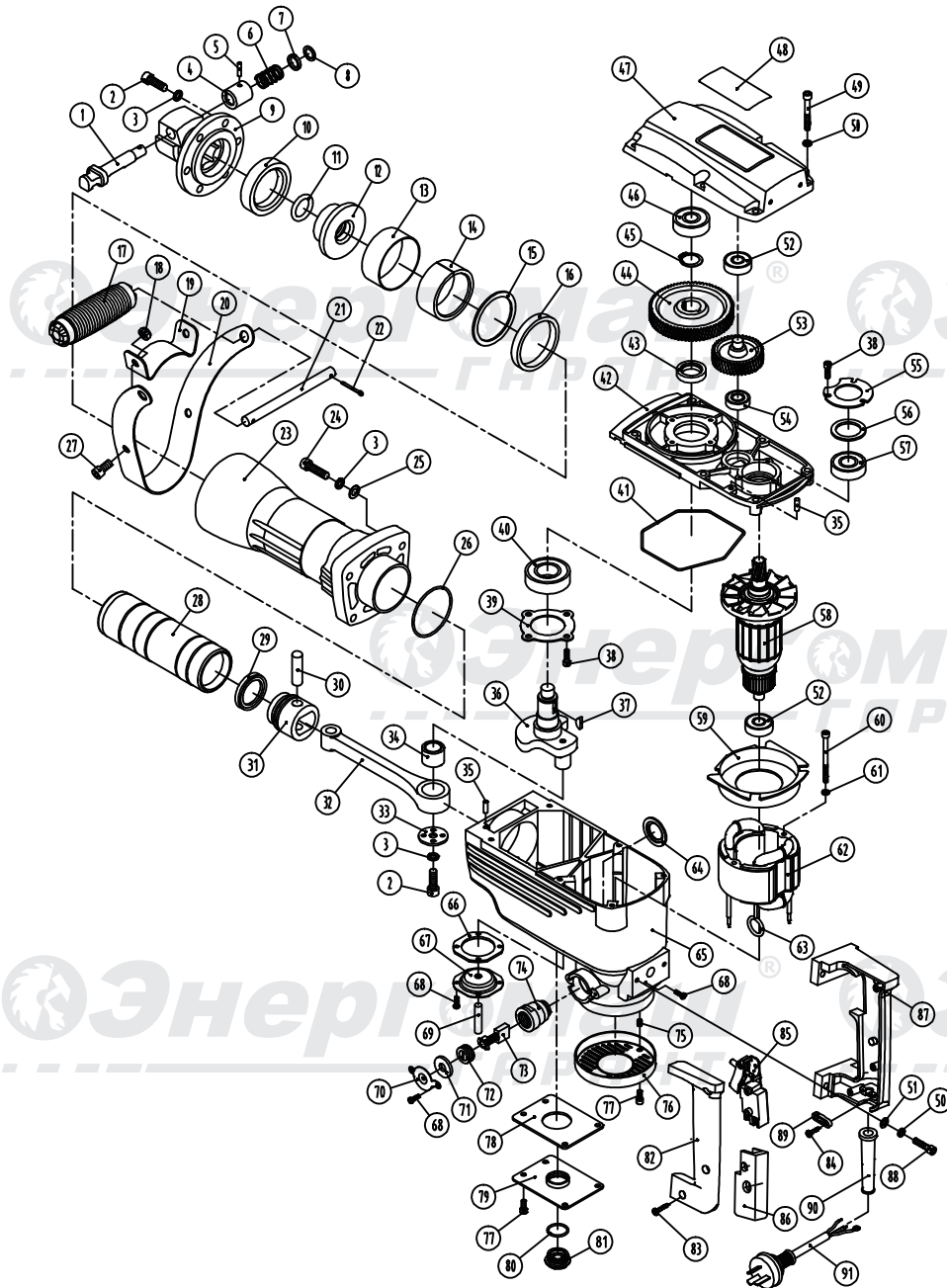


# OM1-2100



NO.	DESCRIPTION	NO.	DESCRIPTION
1	arresting lever	51	washer φ6
2	screw M8	52	bearing 6201
3	gasker 8	53	65z gear
4	spring cover	54	bearing 6001
5	pin φ4X18	55	bearing cover
6	spring	56	bearing washer
7	gasker φ13Xφ18X2.5	57	bearing 6203
8	gaskerφ12.5Xφ18X1.5	58	rotor
9	iron head	59	fan shroud
10	bumper	60	screwM5X60
11	o ring φ23.5Xφ5.2	61	washer φ5
12	drill shank sleeve	62	stator
13	rubber cover	63	tension spring
14	broken ring	64	safty gasket
15	gasket φ57.5Xφ68.5X2	65	gear box
16	bumper1	66	oil bowl gasket
17	rubber handle	67	oil bowl
18	locknut m8	68	screw M4x12
19	front handle clamp	69	oil core
20	front handle holder	70	brush cover
21	handle level	71	brush gasket
22	split pin	72	brush cover
23	front pocket	73	brush carbon
24	screw M8x40	74	brush holder
25	gasket φ8	75	screwM5X8
26	ring φ62Xφ2	76	back cover
27	screw M8X16	77	screw M5x14
28	cylinder	78	rubber washer
29	piston ring	79	oil cover
30	piston pin	80	gasketφ20.5Xφ2
31	piston	81	oil hole
32	connecting rod	82	handle cover
33	eccentric shaft gasket	83	screwM4X14
34	needle NK1820	84	screwM4X10
35	pinφ5X12	85	switch
36	eccentric shaft	86	switch rubber
37	KEY	87	main handle
38	screw M5x14	88	screw M6X25
39	bearing cover	89	press board
40	bearing 6205	90	cable cover
41	gasket	91	cable
42	middle cover		
43	range ring		
44	big gear		
45	snap springφ 22		
46	bearing 6302		
47	up cover		
48	mark		
49	screwM6X45		
50	spring washerφ6		